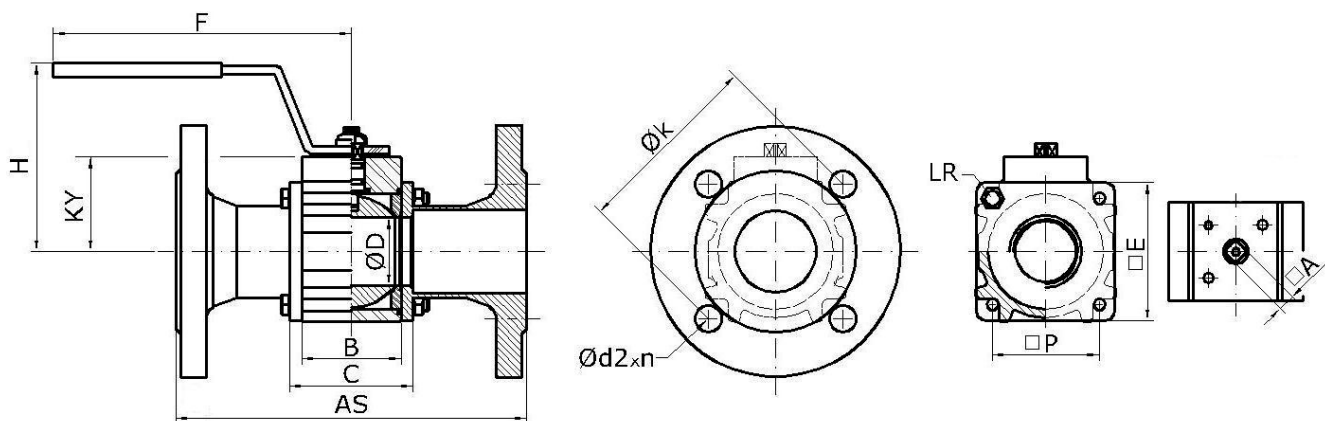


## Aluminium valves with EN 1092-1/11 flanges

- ball massive / shell (aluminium / AISI 316L)
- hand lever galvanized steel
- flanges painted steel
- ball seats PTFE / PTFE+C
- o-rings FPM/PTFE/EPDM/NBR/FFKM/FEPM



NIM SIZE DN		PN	D ø							ød×n	øK	LR	P	E	A
mm	in			AS	B	C	KY	F	H						
20	3/4	25	25	150	36	52	40	150	75	14×4	75	M8	46	61	11
25	1	25	25	160	36	52	40	150	75	14×4	85	M8	46	61	11
32	1¼	25	32	180	50	66	53	200	110	18×4	100	M8	57	74	11
40	1½	25	48,5	200	65	81	62	200	100	18×4	110	M10	70	91	11
50	2	25	48,5	230	65	81	62	200	100	18×4	125	M10	70	91	11
65	2½	16	55	290	77	101	74	260	125	18×4	145	M10	86	112	17
65	2½	16	67	290	90	114	81	260	135	18×4	145	M10	97	124	17
80	3	16	67	310	90	114	81	260	135	18×8	160	M10	97	124	17
100	4	16	90	350	126	150	106	310	130	18×8	180	M12	129	167	17