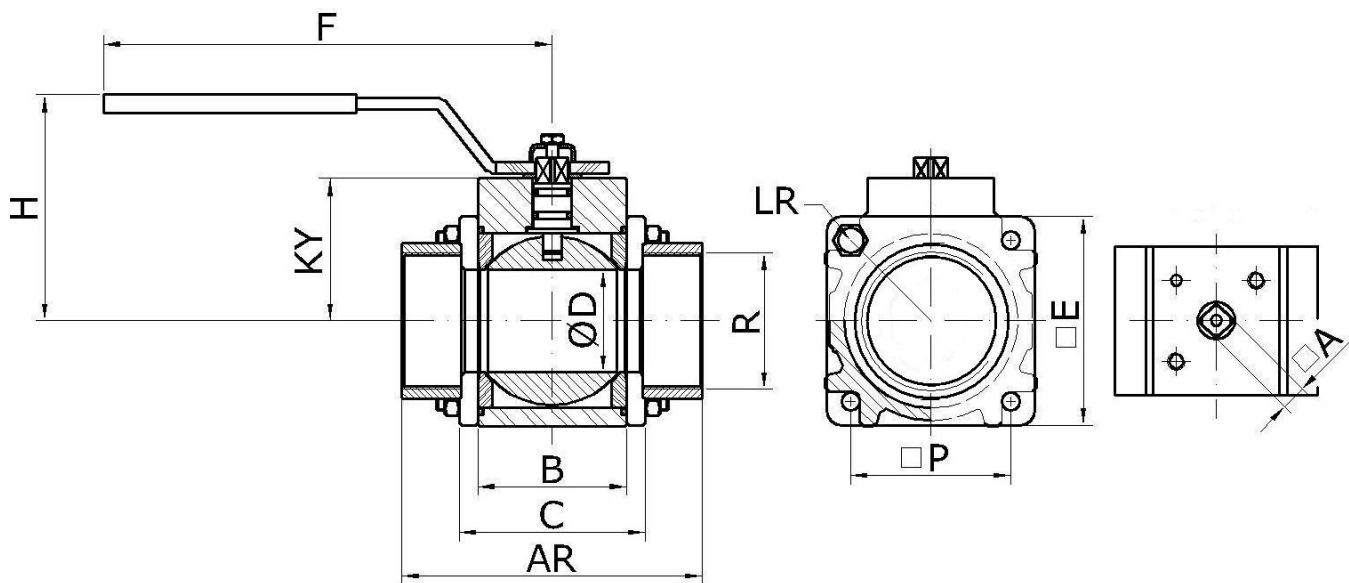


Aluminium valves with inside thread

- ball massive / shell (aluminium / AISI 316L)
- hand lever galvanized steel
- thread connections galvanized steel
- ball seats PTFE
- o-rings FPM/PTFE/EPDM/NBR/FFKM/FEPM



NIM SIZE DN		PN	D ø								LR	P	E	A
mm	in [®]			AR	B	C	KY	F	Hs					
20	3/4	25	25	86	36	52	40	150	75	M8	46	61	11	
25	1	25	25	92	36	52	40	150	75	M8	46	61	11	
32	1¼	25	32	112	50	66	53	200	110	M8	57	74	11	
40	1½	25	48,5	133	65	81	62	200	100	M8	70	91	11	
50	2	25	48,5	137	65	81	62	200	100	M8	70	91	11	
65	2½	25	48,5	155	65	81	62	200	100	M8	70	91	11	
65	2½	16	55	161	77	101	74	260	125	M10	86	112	17	
65	2½	16	67	170	90	114	81	260	135	M10	97	124	17	
80	3	16	67	188	90	114	81	260	135	M10	97	124	17	
100	4	16	90	234	126	150	106	310	130	M12	129	167	17	