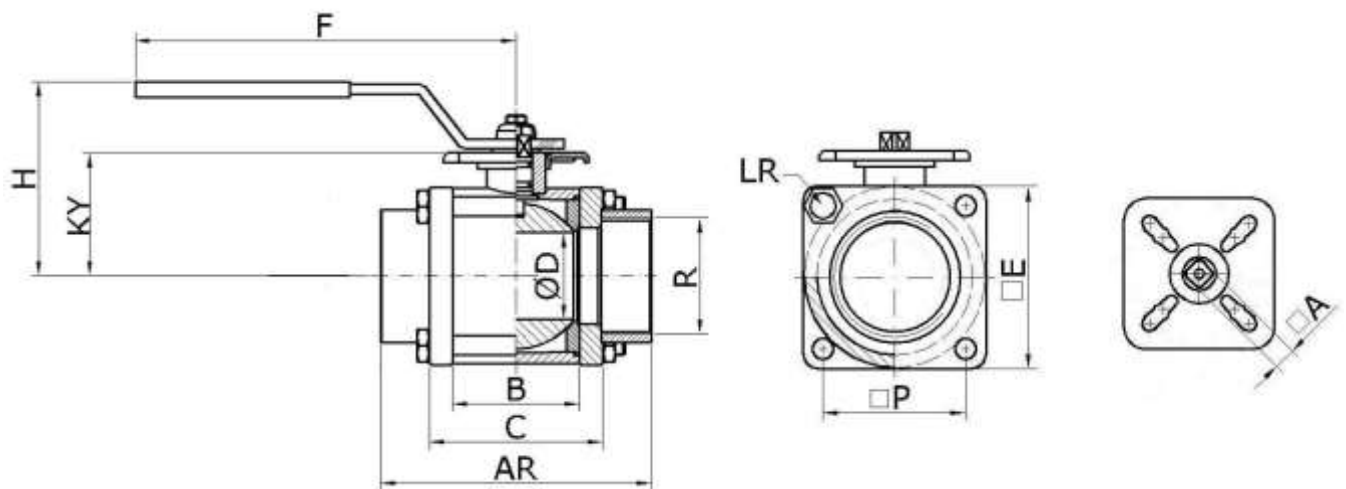


Steel valves (K/H) with inside thread joints

- valve body
 - K = Fe P235GH TC1 (EN 10216-2)
 - H = AISI 316L (EN 1.4404)
- ball massive / shell (aluminium / AISI 316L)
- hand lever galvanized steel / AISI 316L
- thread connections galvanized / painted steel / AISI 316L
- ball seats PTFE
- o-rings FPM/PTFE/EPDM/NBR/FFKM/FEPM
- ISO 5211 connection plate for actuator





NOM DN	SIZE in	PN	D ø												ISO 5211 F
				AR	B	C	KY	F	H	LR	P	E	A		
10	3/8	25	15	90	30	42	31	150	50	M6	32	47	11	05	
15	1/2	25	15	70	30	42	31	150	50	M6	32	47	11	05	
20	3/4	25	25	86	36	52	40	150	75	M8	46	61	11	05	
25	1	25	25	92	36	52	40	150	75	M8	46	61	11	05	
32	1¼	25	32	112	50	66	53	200	110	M8	57	74	11	05, 07	
40	1½	25	48,5	133	65	81	62	200	100	M8	70	91	11	05, 07	
50	2	25	48,5	137	65	81	62	200	100	M8	70	91	11	05, 07	
65	2½	25	48,5	155	65	81	62	200	100	M8	70	91	11	05, 07	
65	2½	16	55	161	77	101	74	260	125	M10	86	112	17	07, 10	
65	2½	16	67	170	90	114	81	260	135	M10	97	124	17	07, 10	
80	3	16	67	188	90	114	81	260	135	M10	97	124	17	07, 10	
80	3	16	80	204	116	140	94	260	185	M12	115	152	17	07, 10	
100	4	16	80	204	116	140	94	260	185	M12	115	152	17	07, 10	
100	4	16	90	234	126	150	106	310	130	M12	129	167	22	10, 12, 14	
100	4	16	100	232	136	168	111	310	220	M12	–	202	22	10, 12, 14	
125	5	16	100	354	136	168	111	310	220	M12	–	202	22	10, 12, 14	
125	5	16	125	392	164	204	132	310	240	M16	–	235	22	10, 12, 14	