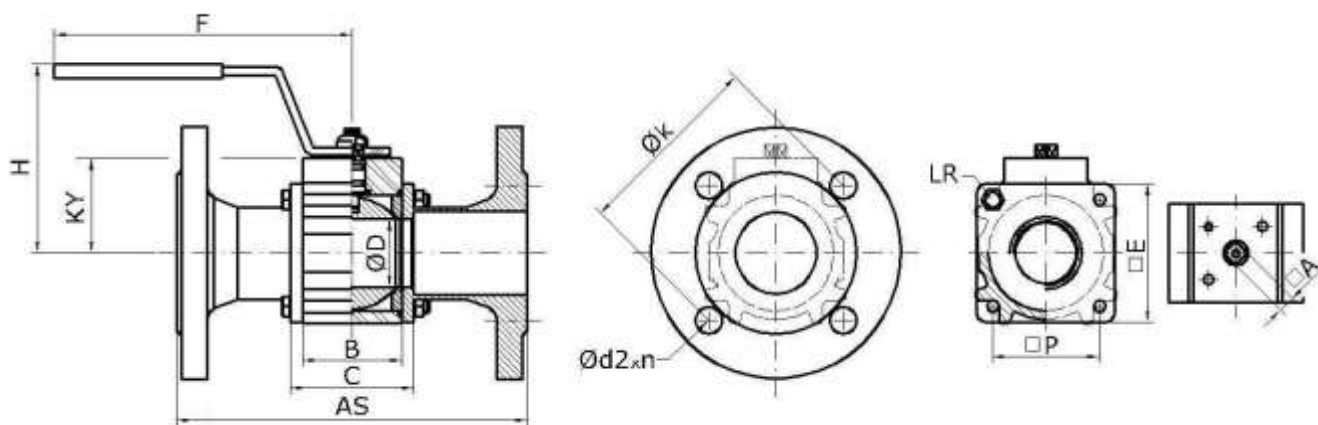


Alumiiniset palloventtiilit EN 1092-1/11 laippayhtein

- pallo massiivi / kuori (alumiini / AISI 316L)
- käsivipu sinkittyä terästä
- laippayhteet maalattua terästä
- pallontiivisteet PTFE / PTFE+C
- o-renkaat FPM/PTFE/EPDM/NBR/FFKM/FEPM



| NIM KOKO DN | | PN | D ø | | | | | | | ø d _{xn} | ø K | LR | P | E | A |
|-------------|-----|----|--------|-----|-----|-----|-----|-----|-----|-------------------|-----|-----|-----|-----|----|
| mm | in | | | AS | B | C | KY | F | H | | | | | | |
| 20 | 3/4 | 25 | 25 | 150 | 36 | 52 | 40 | 150 | 75 | 14x4 | 75 | M8 | 46 | 61 | 11 |
| 25 | 1 | 25 | 25 | 160 | 36 | 52 | 40 | 150 | 75 | 14x4 | 85 | M8 | 46 | 61 | 11 |
| 32 | 1¼ | 25 | 32 | 180 | 50 | 66 | 53 | 200 | 110 | 18x4 | 100 | M8 | 57 | 74 | 11 |
| 40 | 1½ | 25 | 48,5 | 200 | 65 | 81 | 62 | 200 | 100 | 18x4 | 110 | M8 | 70 | 91 | 11 |
| 50 | 2 | 25 | 48,5 | 230 | 65 | 81 | 62 | 200 | 100 | 18x4 | 125 | M8 | 70 | 91 | 11 |
| 65 | 2½ | 25 | 48,5 | 290 | 65 | 81 | 62 | 200 | 100 | 18x4 | 145 | M8 | 70 | 91 | 11 |
| 65 | 2½ | 16 | 55 | 290 | 77 | 101 | 74 | 260 | 125 | 18x4 | 145 | M10 | 86 | 112 | 17 |
| 65 | 2½ | 16 | 67 | 290 | 90 | 114 | 81 | 260 | 135 | 18x4 | 145 | M10 | 97 | 124 | 17 |
| 80 | 3 | 16 | 67 | 310 | 90 | 114 | 81 | 260 | 135 | 18x8 | 160 | M10 | 97 | 124 | 17 |
| 100 | 4 | 16 | 90 | 350 | 126 | 150 | 106 | 310 | 130 | 18x8 | 180 | M12 | 129 | 167 | 17 |