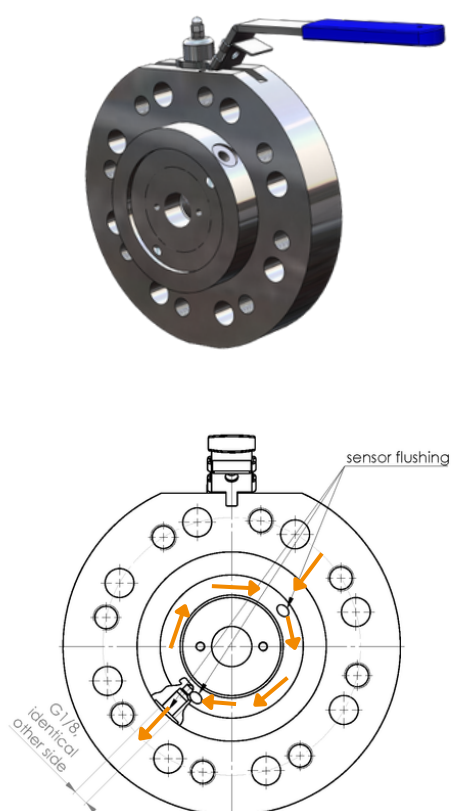


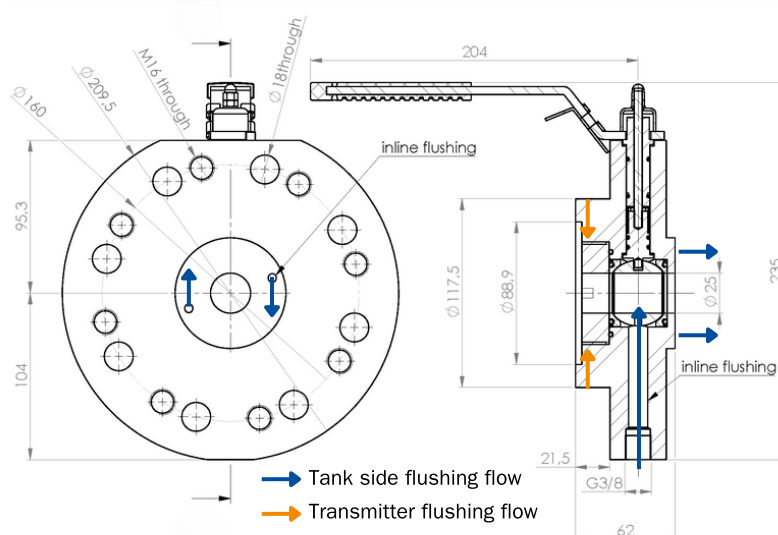
Jouka JoLevel

Isolation valve for pressure transmitters

EN STANDARD



The JoLevel is designed for applications where the measurement system needs to be isolated from the process. The valve provides flushing function for transmitter and process side cleaning without dismantling the assembly.



Transmitter size	DN80
Ball port size	DN25
Pressure classes	PN40
Construction material	EN 1.4404, EN 1.4307 & EN 1.4462
Seat material	PTFE, PTFE+C
O-ring material	FPM, EPDM, NBR, FFKM, FEPM, PTFE
Mounting dimensions	EN 1092-1
Tankside mounting	Ø18 through holes
Transmitter mounting	M16 through for transmitter
Mounting of flushing	G1/8" for transmitter, G3/8" for tank side
Temperature range	-20...180 °C
Operation	Lockable hand lever (AISI304)
Weight	11 kg



JOUKA
Valves you can trust

Somerotie 4, 33470 Ylöjärvi | +358 3 359 7500 | info@jouka.fi | jouka.fi