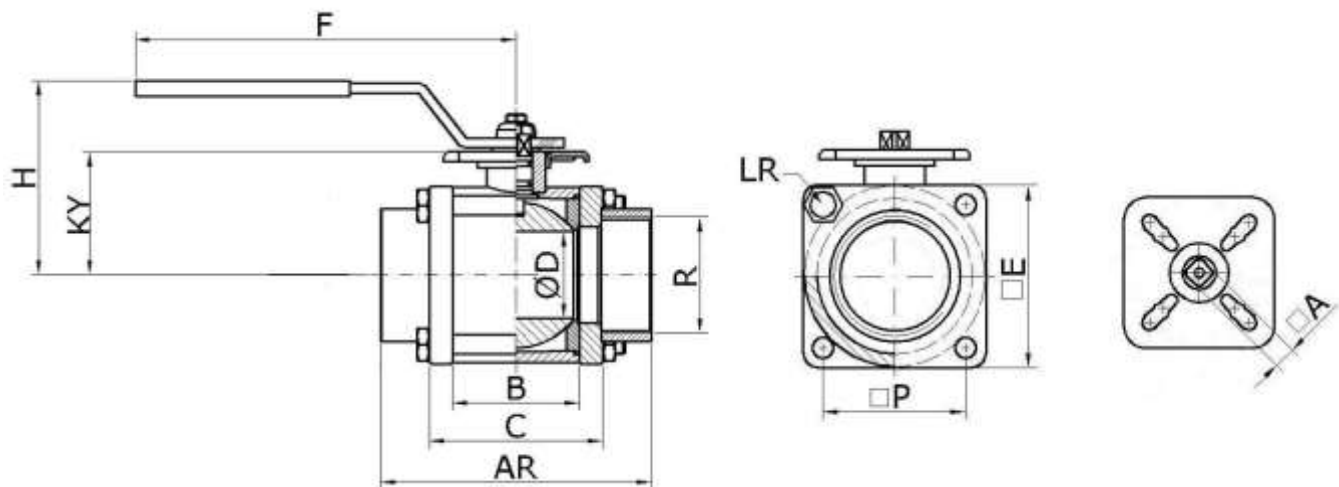


Stainless steel valves with inside thread joints

- valve body AISI 316L (EN 1.4404) / AISI 304L (EN 1.4307)
- ball massive / shell type (aluminum / AISI 316L / AISI 304L)
- manual hand lever AISI 316L
- inside thread joints AISI 316L / AISI 304L
- ball seats PTFE / PTFE+C / PEEK
- o-rings FPM / PTFE / EPDM / NBR / FFKM / FEPM
- ISO 5211 mounting plate for actuator





| NOM SIZE DN | | PN | D ø | | | | | | | LR | P | E | A | ISO 5211 F |
|-------------|-----|----|--------|-----|-----|-----|-----|-----|-----|-----|-----|-----|----|------------|
| mm | in | | | AR | B | C | KY | F | H | | | | | |
| 10 | 3/8 | 25 | 15 | 90 | 30 | 42 | 31 | 150 | 50 | M6 | 32 | 47 | 11 | 05 |
| 15 | 1/2 | 25 | 15 | 70 | 30 | 42 | 31 | 150 | 50 | M6 | 32 | 47 | 11 | 05 |
| 20 | 3/4 | 25 | 25 | 84 | 36 | 52 | 40 | 150 | 75 | M8 | 46 | 61 | 11 | 05 |
| 25 | 1 | 25 | 25 | 90 | 36 | 52 | 40 | 150 | 75 | M8 | 46 | 61 | 11 | 05 |
| 32 | 1¼ | 25 | 32 | 108 | 50 | 66 | 53 | 200 | 110 | M8 | 57 | 74 | 11 | 05, 07 |
| 40 | 1½ | 25 | 48,5 | 128 | 65 | 81 | 62 | 200 | 100 | M8 | 70 | 91 | 11 | 05, 07 |
| 50 | 2 | 25 | 48,5 | 136 | 65 | 81 | 62 | 200 | 100 | M8 | 70 | 91 | 11 | 05, 07 |
| 65 | 2½ | 25 | 48,5 | 144 | 65 | 81 | 62 | 200 | 100 | M8 | 70 | 91 | 11 | 05, 07 |
| 65 | 2½ | 16 | 55 | 160 | 77 | 101 | 74 | 260 | 125 | M10 | 86 | 112 | 17 | 07, 10 |
| 65 | 2½ | 16 | 67 | 172 | 90 | 114 | 81 | 260 | 135 | M10 | 97 | 124 | 17 | 07, 10 |
| 80 | 3 | 16 | 67 | 178 | 90 | 114 | 81 | 260 | 135 | M10 | 97 | 124 | 17 | 07, 10 |
| 80 | 3 | 16 | 80 | 204 | 116 | 140 | 94 | 260 | 185 | M12 | 115 | 152 | 17 | 07, 10 |
| 100 | 4 | 16 | 80 | 204 | 116 | 140 | 94 | 260 | 185 | M12 | 115 | 152 | 17 | 07, 10 |
| 100 | 4 | 16 | 90 | 222 | 126 | 150 | 106 | 310 | 130 | M12 | 129 | 167 | 22 | 10, 12, 14 |
| 100 | 4 | 16 | 100 | 232 | 136 | 168 | 111 | 310 | 220 | M12 | - | 202 | 22 | 10, 12, 14 |
| 125 | 5 | 16 | 100 | 354 | 136 | 168 | 111 | 310 | 220 | M12 | - | 202 | 22 | 10, 12, 14 |
| 125 | 5 | 16 | 125 | 392 | 164 | 204 | 132 | 310 | 240 | M16 | - | 235 | 22 | 10, 12, 14 |