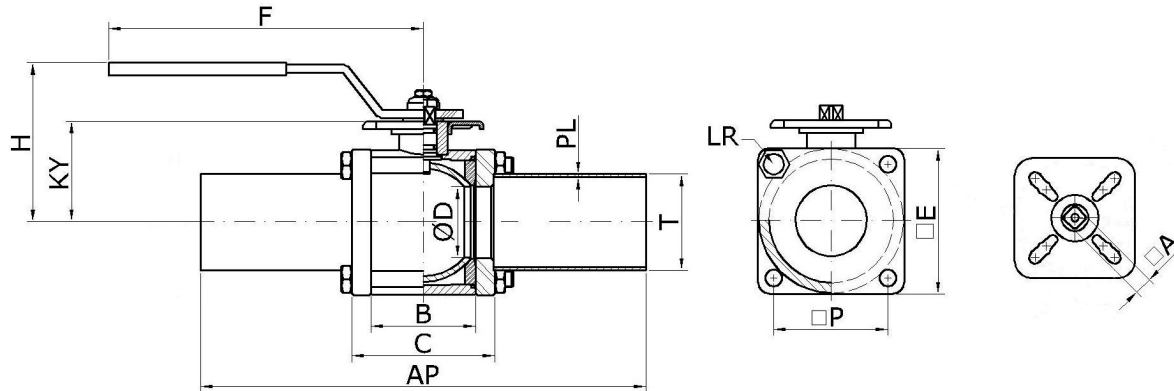


Stainless steel ball valves with welding joints

- valve body AISI 316L (EN 1.4404) / AISI 304L (EN 1.4307)
- ball massive / shell (aluminum / AISI 316L / AISI 304L)
- manual hand lever AISI 316L
- welding joints AISI 316L / AISI 304L
- ball seats PTFE / PTFE+C / PEEK
- o-rings FPM / PTFE / EPDM / NBR / FFKM / FEPM
- ISO 5211 mounting plate for actuator
- For actuator controlled valves please request more information





NOM SIZE DN		PN	D ø	Min. PL	T	AP	B	C	KY	F	H	LR	P	E	A	ISO 5211 F
mm	in															
10	3/8	40	15	2,0	17,2	230	30	42	31	150	50	M6	32	47	11	05
15	1/2	40	15	2,0	21,3	230	30	42	31	150	50	M6	32	47	11	05
20	3/4	40	25	2,0	26,9	240	36	52	39	150	60	M8	46	61	11	05
25	1	40	25	2,0	33,7	240	36	52	39	150	60	M8	46	61	11	05
32	1¼	40	32	2,0	42,4	254	50	66	54	200	90	M8	57	74	11	05, 07
40	1½	25	48,5	2,0	48,3	274	65	85	63	200	100	M10	71	91	11	05, 07
50	2	25	48,5	2,0	60,3	274	65	85	63	200	100	M10	71	91	11	05, 07
65	2½	25	48,5	2,0	76,1	274	65	85	63	200	100	M10	71	91	11	05, 07
65	2½	25	55	2,0	76,1	290	77	101	73	260	165	M10	86	112	17	07, 10
65	2½	16	67	2,0	76,1	302	90	114	81	260	170	M10	97	124	17	07, 10
80	3	16	67	2,0	88,9	302	90	114	81	260	170	M10	97	124	17	07, 10
80	3	16	80	2,0	88,9	334	116	140	94	260	185	M12	115	152	17	07, 10
100	4	16	80	2,0	114,3	334	116	140	94	260	185	M12	115	152	17	07, 10
100	4	16	90	2,0	114,3	346	126	158	103	310	205	M12	129	167	22	10, 12, 14
100	4	16	100	2,0	114,3	354	136	168	111	310	220	M12	–	202	22	10, 12, 14
125	5	16	100	2,0	139,7	354	136	168	111	310	220	M12	–	202	22	10, 12, 14
125	5	16	125	2,0	139,7	392	164	204	132	310	240	M16	–	235	22	10, 12, 14
150	6	16	125	2,0	168,3	392	164	204	132	310	240	M16	–	235	22	10, 12, 14
150	6	16	150	2,0	168,3	414	186	226	167	⌀	⌀	M20	–	272	27	10, 12, 14
200	8	16	150	2,0	219,1	414	186	226	167	⌀	⌀	M20	–	272	27	10, 12, 14
200	8	10	200	2,0	219,1	472	242	282	206	⌀	⌀	M20	–	366	27	10, 12, 14

⌀ Mostly supplied with quarter-turn gearbox equipped with hand wheel