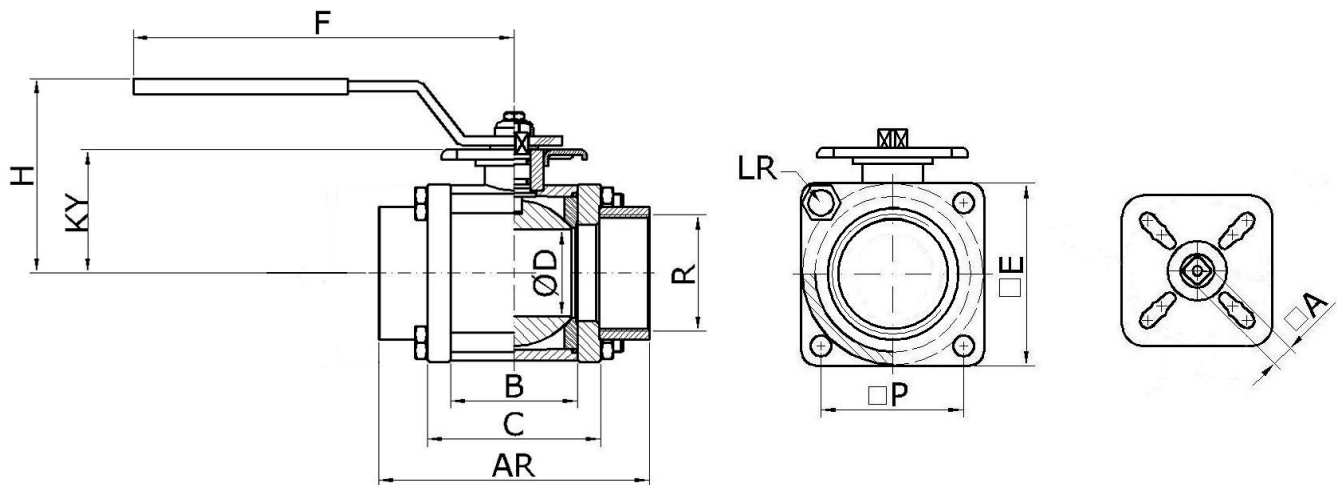


Stainless steel valves with inside thread joints

- valve body AISI 304L (EN 1.4307)
- ball massive / shell type AISI 304L
- manual hand lever AISI 316L
- inside thread joints AISI 304L
- ball seats PTFE / PTFE+C / PEEK
- o-rings FPM / PTFE / EPDM / NBR / FFKM / FEPM
- ISO 5211 mounting plate for actuator





NOM SIZE DN		PN	D ø								LR	P	E	A	ISO 5211 F
mm	in			AR	B	C	KY	F	H						
10	3/8	25	15	90	30	42	31	150	50	M6	32	47	11	05	
15	1/2	25	15	70	30	42	31	150	50	M6	32	47	11	05	
20	3/4	25	25	84	36	52	40	150	75	M8	46	61	11	05	
25	1	25	25	90	36	52	40	150	75	M8	46	61	11	05	
32	1¼	25	32	108	50	66	53	200	110	M8	57	74	11	05, 07	
40	1½	25	48,5	128	65	81	62	200	100	M8	70	91	11	05, 07	
50	2	25	48,5	136	65	81	62	200	100	M8	70	91	11	05, 07	
65	2½	25	48,5	144	65	81	62	200	100	M8	70	91	11	05, 07	
65	2½	16	55	160	77	101	74	260	125	M10	86	112	17	07, 10	
65	2½	16	67	172	90	114	81	260	135	M10	97	124	17	07, 10	
80	3	16	67	178	90	114	81	260	135	M10	97	124	17	07, 10	
80	3	16	80	204	116	140	94	260	185	M12	115	152	17	07, 10	
100	4	16	80	204	116	140	94	260	185	M12	115	152	17	07, 10	
100	4	16	90	222	126	150	106	310	130	M12	129	167	22	10, 12, 14	
100	4	16	100	232	136	168	111	310	220	M12	–	202	22	10, 12, 14	
125	5	16	100	354	136	168	111	310	220	M12	–	202	22	10, 12, 14	
125	5	16	125	392	164	204	132	310	240	M16	–	235	22	10, 12, 14	