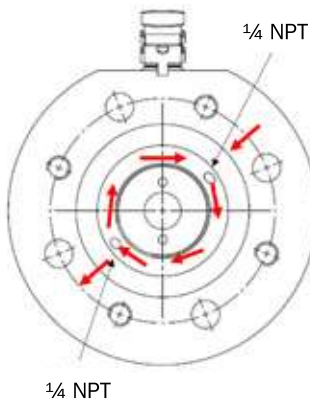




Jouka isolation valve for pressure transmitter

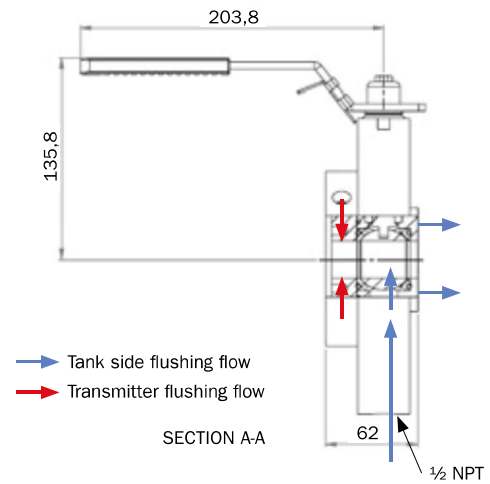
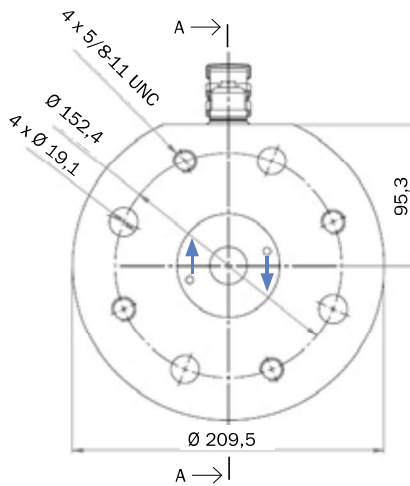
ASME STANDARD



1/4 NPT



The isolation valve is designed for applications where the measurement system is isolated from the main line. The valve provides flushing function for transmitter and process side cleaning without dismantling the assembly.



Transmitter size	3"
Ball port size	1"
Pressure classes	PN25
Construction material	AISI316, AISI304L, Duplex 2205
Seat material	PTFE, PTFE+25%C
O-ring material	FPM, EPDM, NBR, FFKM, FEPM, PTFE
Mounting dimensions	ASME B16.5 (EN 1759-1)
Tankside mounting	Ø19 through holes
Transmitter mounting	5/8-11 UNC through for transmitter
Mounting of flushing	1/4 NPT for transmitter, 1/2 for tankside
Temperature range	-20...180 °C
Operation	Handlever lockable (AISI304)
Weight	11 kg